



Electric  
Pick & Carry  
Cranes



**MC 45S (metric)**  
Max Capacity 4,500 Kg

RGP Lifting Solutions  
Dealer & Partner of JMG Cranes

Sales & Service Office  
Ecologieweg 16  
3343 LM Hendrik-Ido-Ambacht -  
Netherlands+31 (0) 78 204 92 60  
info@rgpliftingsolutions.eu

Gijs van de Graaf  
+31 651855113

Dick van de Graaf  
+31 613214166

Production Plant  
Via Sito Nuovo 14  
29010 Sarmato (PC) - Italy



vca✓

# MC 45S

- ✓ Radio-remote control on driving, steering, boom movements, Winch and other accessories
- ✓ Front-wheels drive with counter rotation
- ✓ Removable counterweights
- ✓ Hydraulically telescoping Sequential type boom

### Options:

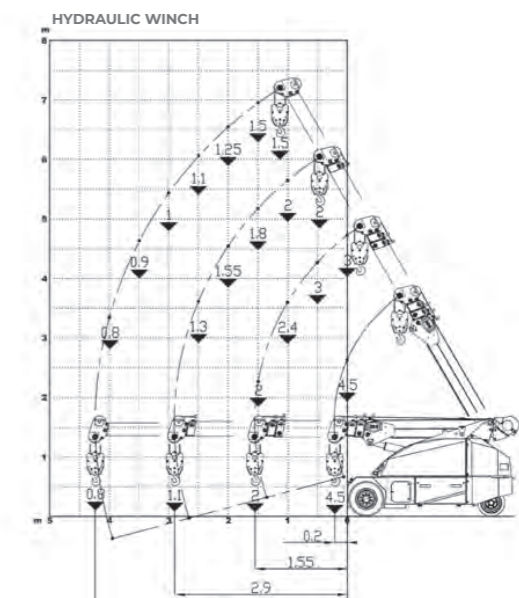
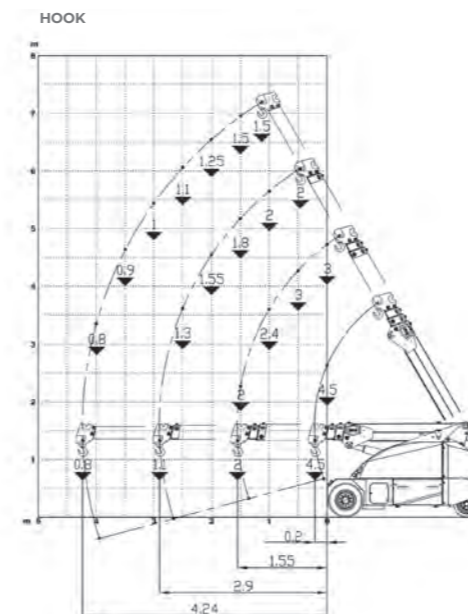
- Hydraulic winch
- Hydraulic fly jib
- Bendable manual jib with Manual extension
- Non-marking tires
- Hydraulic forks
- Man bucket
- Atex conversions
- Customized painting



### Technical features

Max Capacity kg	4,500	Front-wheels drive. 2 electric motors AC 3 kW 48V Insulation class H	<b>LMI</b> Electronic safe load indicator and tilting moment limiter
	Dimensions mm	Total Kg. 4,900 Removable counterweights Kg. 1,360	Automatic braking system on all wheels
48 V - 600 Ah 8 working hours		Fabricated from preformed and welded quality steel plate	
Front nr. 2 superelastic 23x10-12" Rear nr. 2 superelastic 18x7-8"		+60°/-15°	
	Rear Steering angle -90°/+90°	Motor driven pump 9 kW - 48 V AC, Insulation class H	

### Load charts



### EU Standards CE

	UNI ISO 4301-2: A1
	2006/42 CE-2014/30 UE-2014/35 UE- 2000/14 et modifications suivantes
	EN 13000:2014 ANSI/ASME B30.5-2011 et modifications suivantes

### Dimensions

